

1-1-2006

A Connected Sum of Knots and Fintushel-Stern Knot Surgery on 4-manifolds

MANABU AKAHO

Follow this and additional works at: <https://journals.tubitak.gov.tr/math>



Part of the [Mathematics Commons](#)

Recommended Citation

AKAHO, MANABU (2006) "A Connected Sum of Knots and Fintushel-Stern Knot Surgery on 4-manifolds," *Turkish Journal of Mathematics*: Vol. 30: No. 1, Article 8. Available at: <https://journals.tubitak.gov.tr/math/vol30/iss1/8>

This Article is brought to you for free and open access by TÜBİTAK Academic Journals. It has been accepted for inclusion in Turkish Journal of Mathematics by an authorized editor of TÜBİTAK Academic Journals. For more information, please contact academic.publications@tubitak.gov.tr.

A Connected Sum of Knots and Fintushel-Stern Knot Surgery on 4-manifolds

Manabu Akaho

Abstract

We give some new examples of smooth 4-manifolds which are diffeomorphic although they are obtained by Fintushel-Stern knot surgeries on a smooth 4-manifold with different knots; the first such examples are given by Akbulut [1]. In the proof we essentially use the monodromy of a cusp.

1. Introduction

Let X be a smooth 4-manifold. In [4] a *cusplike* in X is a PL embedded 2-sphere of self-intersection 0 with a single nonlocally flat point whose neighborhood is the cone on the right-hand trefoil knot. The regular neighborhood of a cusp is called a *cusplike neighborhood*. It is fibered by smooth tori with one singular fiber, the cusp, and the monodromy is

$$\begin{pmatrix} 1 & 1 \\ -1 & 0 \end{pmatrix}.$$

If T is a smoothly embedded torus representing a nontrivial homology class $[T]$, we say that T is *c-embedded* if T is a smooth fiber in a cusplike neighborhood.

Consider an oriented knot K in S^3 , and let m denote an oriented meridional circle to K ; see Figure 1. Let M_K be the 3-manifold obtained by performing 0-framed surgery on K . Then m can also be viewed as a circle in M_K . In $M_K \times S^1$ we have a smooth torus

1991 *Mathematics Subject Classification*: Primary 57R55. Secondary 57M25
Supported by JSPS Grant-in-Aid for Scientific Research (Wakate (B))

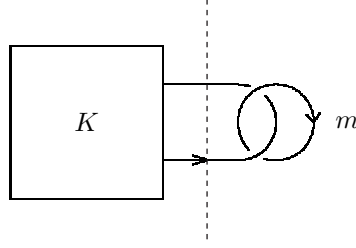


Figure 1

$T_m = m \times S^1$ of self-intersection 0. Since a tubular neighborhood of m has a canonical framing in M_K , a tubular neighborhood of the torus T_m in $M_K \times S^1$ has a canonical identification with $T_m \times D^2$. Let $X_{(K,\phi)}$ denote the fiber sum

$$X_{(K,\phi)} := [X \setminus (T \times D^2)] \cup_{\phi} [(M_K \times S^1) \setminus (T_m \times D^2)],$$

where $T \times D^2$ is a tubular neighborhood of the torus T in the manifold X and $\phi : \partial(T \times D^2) \rightarrow \partial(T_m \times D^2)$ is a homeomorphism. In general, the diffeomorphism type of $X_{(K,\phi)}$ depends on ϕ . If we fix an identification of T with $S^1 \times S^1$ and a homeomorphism $\phi : \partial(T \times D^2) \rightarrow \partial(T_m \times D^2)$ such that

$$\begin{aligned} \phi(S^1 \times * \times *) &= m \times * \times *, \\ \phi(* \times S^1 \times *) &= * \times S^1 \times *, \\ \phi(* \times * \times \partial D^2) &= * \times * \times \partial D^2, \end{aligned}$$

where $*$'s are points, then we shall simply denote $X_{(K,\phi)}$ by X_K . We call this operation *Fintushel-Stern knot surgery* on a 4-manifold X with K .

In case $H_1(X, \mathbf{Z})$ has no 2-torsion there is a natural identification of the $spin^c$ structures of X with the characteristic elements of $H^2(X, \mathbf{Z})$. Recall that the Seiberg-Witten invariant SW_X is a function

$$SW_X : \{k \in H^2(X, \mathbf{Z}) \mid k \equiv w_2(TX) \pmod{2}\} \rightarrow \mathbf{Z}.$$

The function SW_X has a compact support $B = \{\pm\beta_1, \dots, \pm\beta_n\}$ which is called *the set of basic classes*. By setting $t_{\beta} := \exp \beta$ for each $\beta \in H^2(X, \mathbf{Z})$, the function SW_X is usually written as a Laurent polynomial

$$SW_X = \sum_{\beta \in B} SW_X(\beta) t_{\beta}.$$

Then Fintushel and Stern [4] theorem says:

Theorem 1.1 *Let X be a simply connected smooth 4-manifold with $b^+ > 1$. Suppose that X contains a smoothly c-embedded torus T such that $\pi_1(X \setminus T) = 1$. Then*

$$SW_{X_K} = SW_X \cdot \Delta_K(t),$$

where $t = \exp 2[T]$ and $\Delta_K(t)$ is the Alexander polynomial of K .

To make sense of the statement of the theorem, we need to replace $[T]$ by its Poincaré dual.

Since the Seiberg-Witten invariant is a diffeomorphism invariant, if SW_X and $\Delta_K(t)$ are nontrivial, then X and X_K are not diffeomorphic. Fintushel and Stern conjectured that if X is the Kummer surface $K3$, then the association $K \rightarrow X_K$ gives an injective map from the set of isotopy classes of knots in S^3 to the set of diffeomorphism classes of smooth structures on X . In [1] Akbulut gave first counterexamples to this conjecture:

Theorem 1.2 *Let X be a smooth 4-manifold. Suppose that X contains a smoothly c-embedded torus T . Fix an identification of T with $S^1 \times S^1$. We denote the mirror reflection of an oriented knot K by K^* , see Figure 2. Then*

$$X_K = X_{K^*},$$

and this diffeomorphism leaves the core torus invariant.

We denote an oriented meridional circle to K^* by m' . In the Alexander polynomials K is equal to K^* , i.e., $\Delta_K(t) = \Delta_{K^*}(t)$. In Section 2 we give a simple proof of Theorem 1.2.

Next we give a relation between a connected sum of knots and Fintushel-Stern knot surgery; this observation is given by S. Finashin, see Lemma 3.1 in [3]. Let T_1 and T_2 be regular fibers in a cusp neighborhood in X . We fix common identifications of T_1 and T_2 with $S^1 \times S^1$ by holonomy. Let K_1 and K_2 be oriented knots in S^3 . We construct X_{K_1} by using T_1 and K_1 . Since X_{K_1} also has a cusp neighborhood which has T_2 as a smooth fiber, we can construct $(X_{K_1})_{K_2}$ by using T_2 and K_2 .

Theorem 1.3

$$(X_{K_1})_{K_2} = X_{K_1 \# K_2},$$

where $K_1 \# K_2$ is the connected sum of K_1 and K_2 .

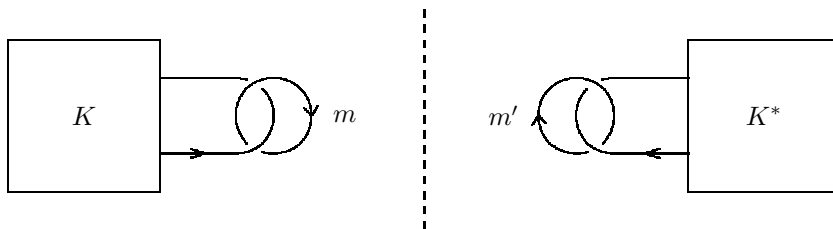


Figure 2

Note that $\Delta_{K_1}(t) \cdot \Delta_{K_2}(t) = \Delta_{K_1 \# K_2}(t)$. Because the core torus is invariant with respect to the diffeomorphism $X_{K_1} = X_{K_1^*}$, we obtain the following corollary:

Corollary 1.4

$$(X_{K_1})_{K_2} = X_{(K_1^*) \# K_2}.$$

Finally these claims give us new counterexamples to the conjecture:

Corollary 1.5

$$X_{K_1 \# K_2} = X_{(K_1^*) \# K_2}.$$

In section 3 we prove Theorem 1.3.

2. A simple proof of Theorem 1.2

In this section we give a simple proof of Theorem 1.2.

We denote the oppositely oriented circle to an oriented S^1 by $\overline{S^1}$. Let Y denote the fiber sum

$$Y := [X \setminus (T \times D^2)] \cup_{\psi} [(M_{K^*} \times S^1) \setminus (T_{m'} \times D^2)],$$

where $\psi : \partial(T \times D^2) \rightarrow \partial(T_{m'} \times D^2)$ is a homeomorphism such that

$$\begin{aligned} \psi(\overline{S^1} \times * \times *) &= m' \times * \times *, \\ \psi(* \times \overline{S^1} \times *) &= * \times S^1 \times *, \\ \psi(* \times * \times \partial D^2) &= * \times * \times \partial D^2. \end{aligned}$$

Since the third power of the monodromy of the cusp is $-\begin{pmatrix} 1 & 0 \\ 0 & 1 \end{pmatrix}$ on a smooth fiber T , Y is diffeomorphic to X_{K^*} . Let $f : M_K \rightarrow M_{K^*}$ be an orientation reversing diffeomorphism which maps the points to their mirror reflection points and $f \times (-\text{id}_{S^1}) : M_K \times S^1 \rightarrow M_{K^*} \times S^1$ an orientation preserving diffeomorphism, where $-\text{id}_{S^1}$ is the orientation reversing diffeomorphism of S^1 . Then we can construct a diffeomorphism $F : X_K \rightarrow Y$ by

$$F(x) := \begin{cases} (f \times (-\text{id}_{S^1}))(x), & \text{for } x \in (M_K \times S^1) \setminus (T_m \times D^2) \\ x, & \text{for } x \in X \setminus (T \times D^2), \end{cases}$$

and F maps the core torus to itself. Hence $X_{K^*} = Y = X_K$ and we finish proving the theorem. \square

3. Proof of Theorem 1.3

We define an oriented link as in Figure 3; let N be the 3-manifold obtained by

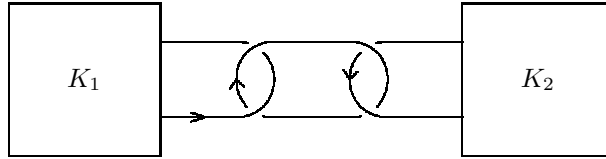


Figure 3

performing 0-framed surgery on each component of the link. Let W denote the fiber

sum

$$W := [X \setminus (T \times D^2)] \cup_{\phi} [(N \times S^1) \setminus (T_{m_1} \times D^2)],$$

where m_1 is an oriented meridional circle to K_1 . Because T_2 is ambient isotopic to $m_1 \times S^1$, we can easily see that W is diffeomorphic to $(X_{K_1})_{K_2}$. Now we shall play Kirby calculus on the 3-manifold N as in Figure 4. The last step of vanishing components can be found

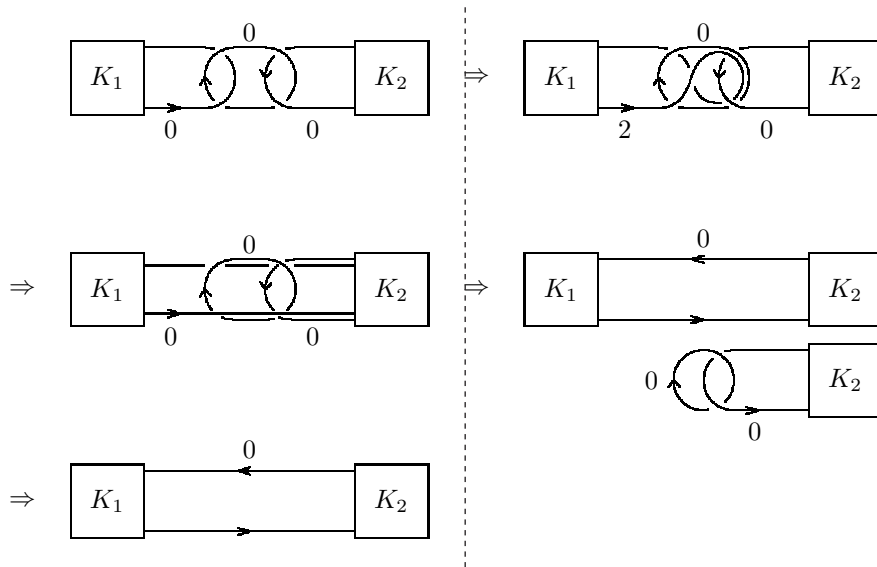


Figure 4

in example 5.2 of [6]. Hence $N \setminus (m_1 \times D^2)$ is diffeomorphic to $M_{K_1 \# K_2} \setminus (m_1 \times D^2)$, and W is diffeomorphic to $X_{K_1 \# K_2}$. We finish proving Theorem 1.3. \square

Acknowledgment

The author would like to thank K. Fukaya who suggested publishing this manuscript and M. Tange who met him in argument.

AKAHO

References

- [1] S. Akbulut. *A Fake Cusp and a Fishtail*, Turkish J. Math. 23 (1999), no. 1, 19–31.
- [2] S. Akbulut. *Variations on Fintushel-Stern Knot Surgery on 4-manifolds*, Turkish J. Math. 26 (2002), no. 1, 81–92.
- [3] S. Finashin. *Knotting of algebraic curves in CP^2* , Topology 41 (2002), 47–55.
- [4] R. Fintushel and R. Stern. *Knots, Links, and 4-manifolds*, Invent. Math. 134, no. 2 (1998), 363–400.
- [5] R. E. Gompf and A. I. Stipsicz. *4-manifolds and Kirby Calculus*, Graduate Studies in Mathematics 20, (1999), American Mathematical Society.
- [6] R. C. Kirby. *The Topology of 4-manifolds*, Lecture Notes in Mathematics 1374, (1989), Springer-Verlag.
- [7] M. Tange. Master’s thesis, Kyoto University (2003).

Manabu AKAHO
Department of Mathematics
Tokyo Metropolitan University
akaho@math.metro-u.ac.jp

Received 03.11.2004